

DJ340

► *High Resolution Piezo-jet Printer*



- An automatic ink system designed with a quick prime, ink drainage and self-cleaning print head nozzle for 100% mess-free printing.
- Two types of print heads: 17.5mm and 70mm, are available and equipped on the printer.
- Compact, robust and cost-efficient.
- CE compliant.

**High-Resolution
Inkjet Printer**



- ▶ Support multi-text fonts
- ▶ Scalable text including rotation, mirror and **inverse printing**
- ▶ Automatic increment & decrementing batch **counting**
- ▶ Graphic format supported using 1 bit bitmap file (*.bmp)
- ▶ Automatic time and date functions
- ▶ Automatic best-before date calculation
- ▶ Auto repeat printing
- ▶ Barcode printing function
- ▶ Ink running cost calculation per message



Complete stand alone system, no PC required. Print message edited by 5" touch screen.



PC version software assists mass print jobs creation.



User friendly operation software, quickly set up print message.



2 levels password protection.



External data printing via RS232 interface connection.



Remote control available via VNC.



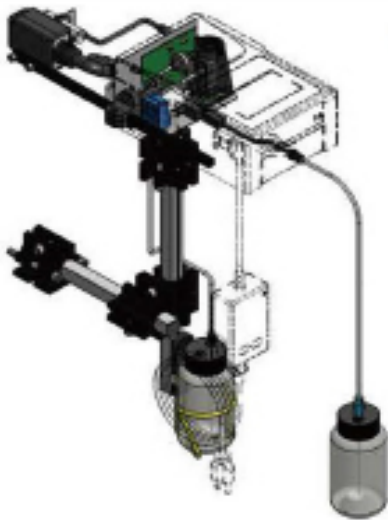
▲ 17.5mm and 70mm print engine

DJ340

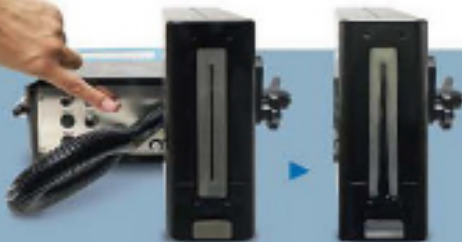
A stand-alone Piezo Inkjet printer designed to be compact, robust and convenient in software operation, with a 5" touch-screen fit to integrate into the DJ340 and keep the best features.

Users can quickly create the print message and control printing via the touch-screen.

An advanced ink delivery system design allows automatic ink prime and drains just in one click.



The print head is flexible to adjust extension or downward.



One button to purge and clean the print head nozzle to maintain good condition print quality. Ink waste is automatically collected to remain 100% mess-free.

Security chip build onto the ink cartridge to protect ink use. ▶
Standard ink supply capacity is 250ml in bag.



Technology	SII Piezoelectric technology
Electrical Requirement	AC 90-240V, 50/60 HZ
Operating Temperature	5°C ~ 50°C (5°F - 122°F)
Operation Display	5" LCD touch screen
Software Operation	Directly on the 5" touchscreen or on a PC then download to the printer by USB stick
Operation Interface	Multiple languages are available
Vertical & Horizontal Resolution	200dpi
Message storage	Up to 1000 messages
Print line	Multiple lines depending upon the print character size
Maximum Print Height	17.5mm for PT128 head, 70mm for PT510 head
Print Speed	148 feet/min(45m/min) at 300dpi with 510 50pl print head 197 feet/min(60m/min) at 300dpi with 510 35pl print head; Optional for UV ink only
Message Length	Maximum to 1024mm
Printing Orientation	Horizontal and Vertical printing
Distance to Print Surface	Maximum 6.5mm (0.25 inches)
Print Capability	Alphanumeric, logos, date/time, shift code, serial number, lot/box number, barcodes/2D code, external data
External data interface	RS232
Ink Usage	Oil and UV curing inks
Ink supply	250ml ink cartridge. 500ml bulk ink supply is optional
Dimension (L/W/H)	160 x 450 x 140 (mm) / 6.3 x 17.7 x 5.5 (inches)
Optional	Encoder, bulk ink supply, external low ink alarm

ACCESSORY

Ink Low Mini Alarm



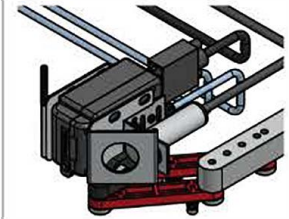
Encoder



UV Curing System



Print Head Swing-Arm



HSAUSA LLC 150 William Street, Perth Amboy, NJ 08861
Tel: 732-324-0800 sales@hsausa.com www.hsausa.com