

# DJ340plus

*A stand-alone large character high resolution piezo-jet printer*



Dotjet DJ340plus is a combination of original DJ340 and an advanced printer controller based on Dotjet DJ45plus.

It retains the DJ340 printing features, and plus an intelligent control system. It embeds a cloud version operation software is becoming great versatility, capability of integrating with automatic potential, printing system be monitored and managed remotely, it represents the coding and marking demand of next generation.

**High-Resolution  
Inkjet Printer**



A 7" full color touchscreen with WYSIWYG user-friendly software with free design capabilities provides even a beginner can quickly and efficiently to build-up a print job and manage printing.



Fulfill the demand for automatic integration, connectivity of data-base printing, multiple interfaces connection, print data uploading into cloud and remote printer management.



Implementation of international symbol sets and software operation interface for global marking.



Allow PC and smart-phone remotely control and monitor printing via wifi.



3 levels password protection/user, administration, manager.



Flexibly import True type fonts into the controller and printing.



PC version software assists in mass print job creation.



Allowing change a new print job in printing with no break.



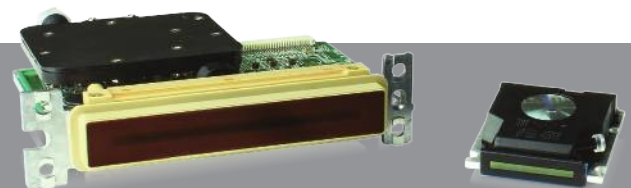
GS1 barcode compliance.



Two types of print engine available.



**GS1** barcode compliant

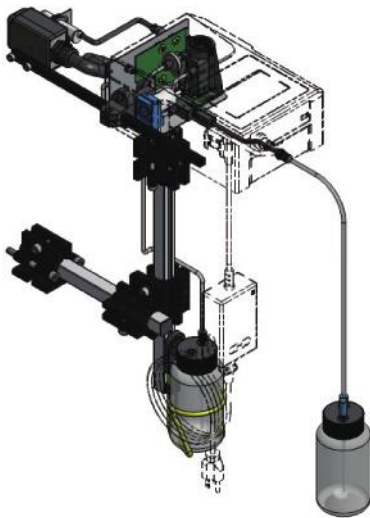


▲ 17.5mm and 72mm print engine

# Inkjet System

The DJ340plus inkjet system has been designed using the latest innovations in the print head module

“All-in-one-module”, Three pumps built in the system for implementing ink feeding, purging and suction. Users can quickly operate the ink system to fulfill quick prime, ink drainage and print head self-cleaning via 7” touch screen.



Bulk ink supply design provide the less downtime in production, no printer shutdown required at ink change.

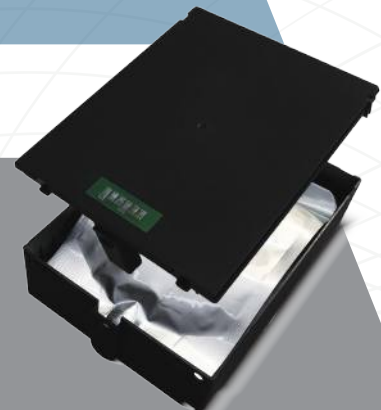
Dotjet utilizes oil-based or uv-curable inks for printing on a wide range of porous and non porous surfaces.



One button to purge and clean the print head nozzle, waste ink be collected automatically, maintain print quality in good condition and 100% mess-free.

Security chip built on the ink cartridge to protect ink usage from third-party. ▶

250ml ink cartridges offer simple and clean ink changes.

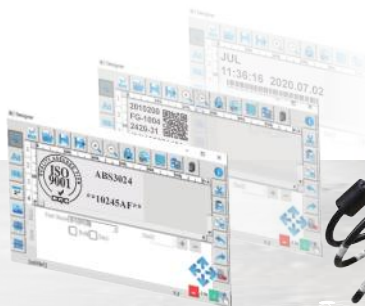


# Communication Interface

DJ340plus provides different connection interfaces TCP/IP, USB and RS232 can be easily integrated to your production area implement external data printing.



The external data can be a text string directly print out.



The external data can be a file name for opening the message file to print the relative products. Every message file with a specific template as print needful.



Item	Quantity	Unit price	Total price
pear	60	\$0.35	\$2.10
orange	100	\$0.22	\$2.20
plum	40	\$0.26	\$1.04
apple	120	\$0.15	\$1.80
banana	60	\$0.12	\$0.72
lemon	30	\$0.16	\$0.48
lime	60	\$0.20	\$1.20



Save a database in the DJ340plus in advance, the 1st column of the database is the data of index. Any external data receiving will has a comparison, the data is calling out for printing once the line 1st column is matched.

# Database Printing

High-speed list prints from database, plug and play USB stick data transfer and provides access easily manipulate MySQL data.



# Network Printing

Communication via Protocol

DJ340plus contains a network interface and protocol that allows host system to connect. Print jobs are sent directly from host systems to the printer without requiring an intervening host. Ideally suited for serialization and track & trace applications. A simulation software DJ\_Link developed by Dotjet team assists you to get through the application with no barrier, please contact us.

# “Versatility in Connectivity”

Transfer of external data, or triggering of active fields for fast and secure data transfer.

Monitoring all operational statuses via protocol function.

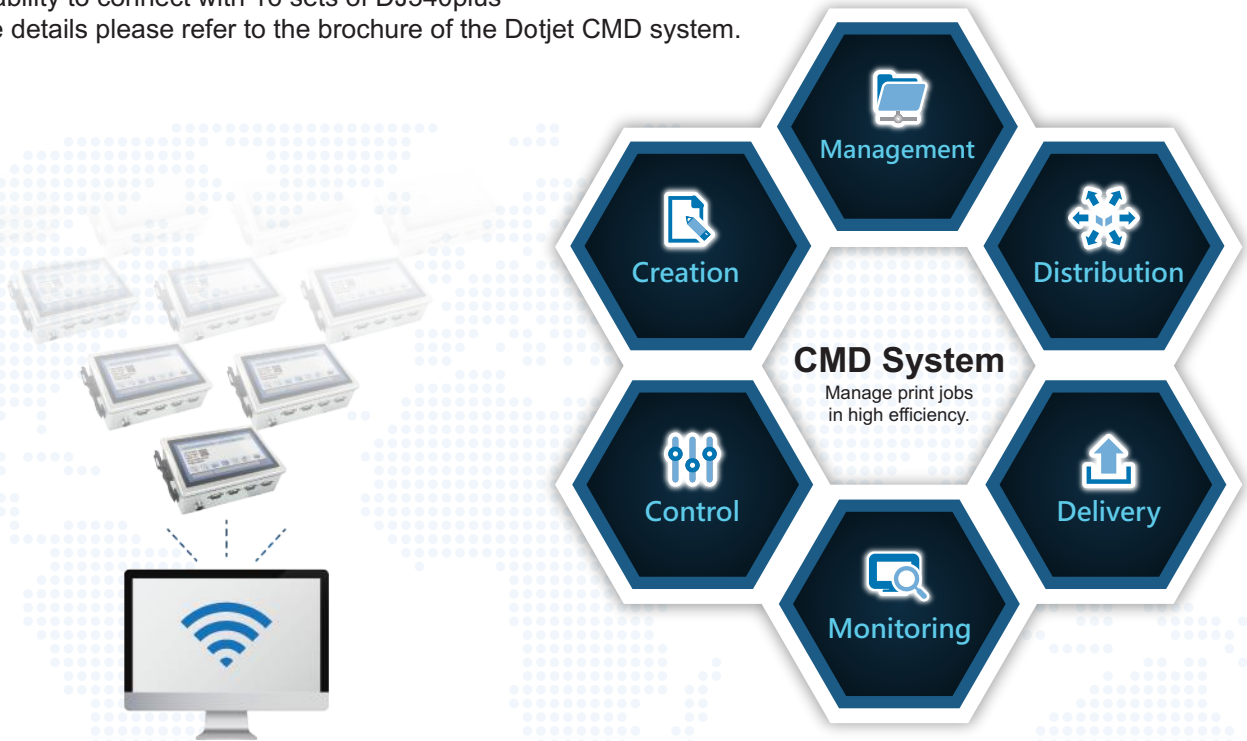
DB print for variable data printing.



## Remote control & monitor: Dotjet Inkjet CMD System

<Dotjet Inkjet CMD System> includes software and hardware parts:

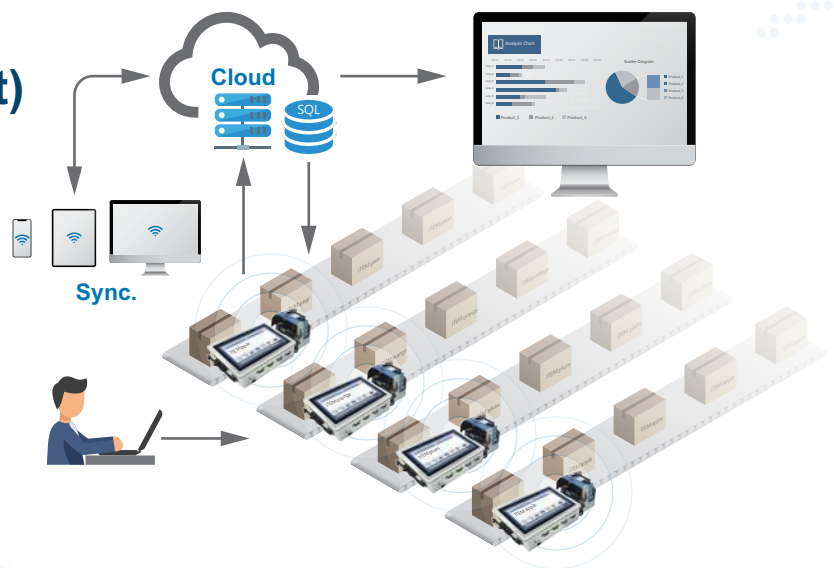
- Centralize the management of the connected inkjet printers and print jobs: create and distribute files, control print jobs and monitor printing status
- Backup printing message files in the CMD server
- Capability to connect with 16 sets of DJ340plus
- More details please refer to the brochure of the Dotjet CMD system.



## Data analytics software: DotW\_AN (in development)

<DotW\_AN> is a data analytics software that is in development.

All kinds of printing data from Dotjet's inkjet printers can be exported to a private server. With a data analytics software, users can benefit from enhanced production line management and implement traceability of coding and marking.



Technology	SPT Piezoelectric technology
Power supply	AC110-220V, 50/60HZ
Display	7" Color LCD with LED backlight
Operating temperature range	5°C ~ 45°C (41°F - 113°F)
Message storage	Up to 1000 messages
Maximum print height	17.5mm for PT128 head; 72mm for PT510 head
Print lines	Multiple lines depending upon the print character size
Message length	Maximum to 1024mm
Print resolution	180 dpi
Printing orientation	Horizontal and vertical printing
Distance to print Surface	Maximum 6.5mm (0.25 inches)
Print speed	Up to 98 feet/min (30m/minute) at 180dpi with 128 80pl print head Up to 197 feet/min (60m/minute) at 180dpi with 128 40pl print head Up to 164 feet/min (50m/minute) at 180dpi with 510 50pl print head Up to 197 feet/min (60m/minute) at 180dpi with 510 35pl print head
Print capability	Alphanumeric of full true type fonts. Scalable text; rotation, mirror and inverse printing. Automatic time and date functions. Automatic best-before date calculation. Automatic incrementing & decrementing batch counting and Lot-Box code. Auto repeat printing. Graphic format supported using 1 bit bitmap file. (*.bmp) 16 programming shift codes with automatic rollover. GS1 barcodes / 2D codes. External data connectivity print. Database print.
Database print format	CSV
External data communication interface	USB, Ethernet, TCP/IP, RS232
Particular features	MySQL database, Print data collection, Protocol control, Image in database, Multiple printer remote control by DotW_CM software
Ink usage	Oil and UV curing inks
Ink supply	250ml ink cartridge. 500ml bulk ink supply is optional
Dimension (L/W/H)	Controller 345 x 260 x 76 (mm) / 13.4 x 10.2 x 3 (inches) Print head & Ink delivery system 160 x 450 x 140 (mm) / 6.3 x 17.7 x 5.5 (inches)
Optional	Encoder, bulk ink supply, External low ink alarm, Backstage analysis/manage software

## ACCESSORY

Ink Low Mini Alarm



Encoder



UV Curing System



Print Head Swing-Arm

