

# Micron<sub>MC-HP1</sub>

Unique small controller and printer in one  
ideal for repeat printing jobs



## HP TIJ 2.5 technology

The HSAUSA Micron is based upon reliable HP TIJ 2.5 technology which delivers consistent, high-quality, fast printing, exceptional value, and ease of use. The Micron is ideal for printing labels and for all cartons for food and pharmaceuticals. The possibilities are endless.

## Load print job from USB-key

Build your print job on a PC using the free MicroDraw software delivered with the printer. Transfer to USB-key and connect to your Micron printer and you are ready to print. The layout can be saved to the internal memory and the USB-key may be removed.

## Easy to integrate and use

The Micron is an 'out of the box' unit. Place an ink-cartridge in the head, connect to power and print instantly by pushing a button.

The printer takes up very little space. Not much more than the actual print cartridge itself. This makes it very easy to integrate.

Print horizontally or simply change the position of the printer 90° for printing vertically/down.

## Built-in sensor

The Micron printer has an internal sensor. If external sensor is required connect this directly to the printer. The sensor distance is easily selected when designing the print job.

## ½" print height

The HSAUSAMicron runs with 1 HP print cartridge allowing a print height of 12,7 mm.

## Ink Cartridges

One of the major benefits of the HSAUSA Micron is that non-keyed HP cartridges can be used. Spot Colors, UV Colors or fast drying inks can all be selected within the MicroDraw program.

## Prints in 300 x 300 dpi

- GRAPHICS
- TEXT (ALPHA NUMERIC)
- COUNTERS
- BARCODES (FIXED)
- DATE & TIME (REAL-TIME & ADJUSTED)
- 3 WINDOWS TRUE TYPE FONTS

# Technical Details

## HSAUSA MICRON MC-HP1

### Build print jobs using MicroDraw PC software

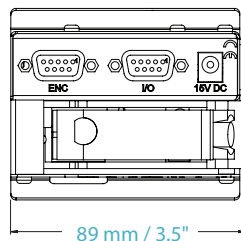
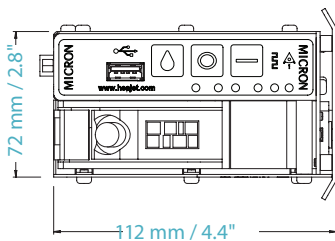
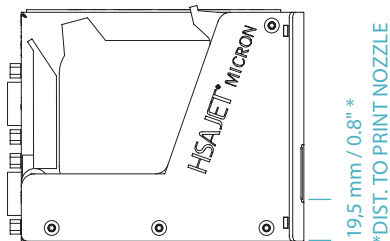
- THE PC-BASED MICRODRAW SOFTWARE EASES BUILDING OF PRINTJOBS. TRANSFER TO MICRON VIA USB STICK
- ADD, EDIT OR REMOVE PRINT OBJECTS
- ROTATE & SCALE TEXT, GRAPHICS, NUMBERS
- SET PRINT RESOLUTION IN SOFTWARE

### Key features

- THE SMALL SIZE MAKES IT VERY EASY TO INTEGRATE
- PLACE AN INK CARTRIDGE IN THE HEAD, CONNECT TO POWER AND PRINT INSTANTLY

### Accessories

- CSM MOUNTING KIT
- ENCODER AND EXTERNAL SENSOR
- BRIDGE MOUNT
- SWING ARM

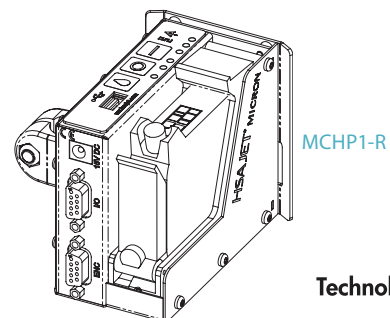


| Resolution (DPI)<br>(horizontal x vertical) | Max. speed |            |
|---------------------------------------------|------------|------------|
|                                             | m / min    | feet / min |
| 600 x 300                                   | 38         | 125        |
| 300 x 300                                   | 76         | 250        |
| 150 x 150                                   | 152        | 500        |
| 75 x 150                                    | 304        | 1000       |

Ink reduction choices: 25%, 33%, 50%

### Technical Data:

- Technology: HP TIJ 2.5  
 Print frequency: 15KHz  
 Print height: Max. 12.7 mm / 1/2"  
 Print heads: 1 pen integrated  
 Print distance: 0.5 - 5 mm (nozzle to print surface)  
 Voltage: 12V (power supply included)  
 Design software: MicroDraw (for WinPC)  
 Memory: 1 print job in unit  
 Print features: Left/Right, upside-down, other side  
 Layout features: Max. length 2400 px (~10 cm in 600 dpi)  
 Unicode support in text and objects  
 Rotation of static objects  
 Works with mm/inch/point/pixel
- Interface: USB  
 Encoder input 5-24V (SUB-D 9)  
 In-/Output 5-24V (SUB-D 9)
- Signals: Low ink signal (diode)  
 Print signal (diode)  
 Built-in sensor
- Complies to: CE directives  
 Weight: 0.53 kg, 1.17 lbs



Inkjet Technology by  invent

Distributed By:



HSAUSA  
 150 William Street  
 Perth Amboy, NJ 08861  
 www.hsausa.com  
 1-800-298-8936